



CORDLESS TELESCOPING POLE PRUNER

24-VOLT MAX* | 2.0 Ah | 1.02"

OPERATOR'S MANUAL

A Division of Snow Joe®, LLC

Model 24V-LRPL2-LTE

Form No. SJ-24V-LRPL2-LTE-880E-M

IMPORTANT!

Safety Instructions

All Operators Must Read These Instructions Before Use

Read all safety warnings and instructions. Failure to follow the warnings and instructions may result in electric shock, fire and/or serious injury.

General Safety WARNINGS!

Notice the personal safety alert symbol ⚠ used in this manual to draw your attention to a WARNING given along with the particular operating instruction. This means that the operation requires special **ATTENTION**, **CAUTION**, and **AWARENESS**.

When using this power tool, basic safety precautions, including the following, should always be followed to reduce the risk of fire, electric shock, personal injury and material damage.

⚠WARNING! This unit can be dangerous! Careless or improper use can cause serious injury.

⚠WARNING! The cutting blades can cut you. Keep hands and feet away from the blades and the cutting area.

Retain this manual for future reference and reread it at the start of each trimming season.

- Avoid accidental starting.
- When the tool is not in use, keep it away from other metal objects.
- Before operating the tool, read the entire manual carefully and make sure you know how to switch the tool OFF in an emergency.

Work Area Safety

1. **Keep work area clean and well lit.** Cluttered and dark areas invite accidents.
2. **Do not operate power tools in explosive atmospheres, such as in the presence of flammable liquids, gases or dust.** Power tools create sparks which may ignite the dust or fumes.
3. **Keep bystanders and children away.** All bystanders, including children and pets, should be kept a safe distance away from the work area.

4. **Avoid dangerous environment.** Don't use the appliance in wet or damp location.

Electrical Safety

⚠WARNING! Do not operate near electrical power lines. The unit has not been designed to provide protection from electric shock in the event of contact with overhead electric lines. Consult local regulations for safe distances from overhead electric power lines and ensure that the operating position is safe and secure before operating as a pole pruner.

1. **Avoid body contact with the earthed or grounded surfaces, such as pipes, radiators, rangers and refrigerators.** If the body is earthed or grounded, the risk of electric shock will increase.
2. **Do not expose the power tool to rainy or wet conditions.** A power tool contacting with water will increase the risk of electric shock.

Battery tool use and care

⚠WARNING! Read all safety warnings and instructions. Failure to follow the warnings and instructions may result in electric shock, fire and/or serious injury.

1. Recharge only with the charger specified by the manufacturer. A charger that is suitable for one type of battery pack may create a risk of fire when used with another battery pack.
2. Use appliances only with specifically designated battery packs. Use of any other battery packs may create a risk of injury and fire.
3. When the battery pack is not in use, keep it away from other metal objects, like paper clips, coins, keys, nails, screws or other small metal objects that can make a connection from one terminal to another. Shorting the battery terminals together may cause burns or a fire.
4. Under abusive conditions, liquid may be ejected from the battery; avoid contact. If contact accidentally occurs, flush with water. If liquid contacts eyes, additionally seek medical help. Liquid ejected from the battery may cause irritation or burns.
5. Do not use a battery pack or appliance that is damaged or modified. Damaged or modified batteries may exhibit unpredictable behavior resulting in fire, explosion or risk of injury.
6. Do not expose a battery pack or appliance to fire or excessive temperature. Exposure to fire or temperature above 104°F (40.5°C) may cause explosion.

7. Follow all charging instructions and do not charge the battery pack or appliance outside of the temperature range specified in the instructions. Charging improperly or at temperatures outside of the specified range may damage the battery and increase the risk of fire.
8. Do not modify or attempt to repair the appliance or the battery pack except as indicated in the instructions for use and care.

Personal Safety

1. **Stay alert. Watch what you are doing and use common sense when operating a power tool.** Do not use the power tool while you are tired or under the influence of drugs, alcohol or medication. A moment of inattention while operating power tool may result in serious personal injury.
2. **Use personal protective equipment. Always wear eye protection.** Protective equipment such as safety glasses, a dusk mask, non-skid safety shoes, a hard hat, and hearing protection, when used for appropriate conditions, will reduce the possibility of personal injuries.
3. **Avoid unintentional starting. Ensure the switch is in the OFF position before inserting the battery, or before picking up or carrying the tool.** Carrying power tools with your finger on the switch can lead to accidents.
4. **Remove any adjusting key or wrench before turning the power tool on.** A wrench or a key left attached to a rotating part of the power tool may result in personal injury.
4. **Do not overreach. Keep proper footing and balance at all times.** This enables better control of the power tool in unexpected situations.
5. **Dress properly. Do not wear loose clothing or jewelry. Dangling articles such as these can become caught in moving parts.** Using work gloves and substantial footwear is recommended when working outdoors. Wear a protective hair covering to contain long hair.
6. **If devices are provided for the connection of dust extraction and collection facilities, ensure these are connected and properly used.** Use of these devices can reduce dust related hazards.
7. Don't grasp the exposed cutting blades or cutting edges when picking up or holding the appliance.
8. **Check Damaged Parts** – Before further use of the appliance, a guard or other part that is damaged should be carefully checked to determine that it will operate properly and perform its intended function. Check for alignment of moving parts, binding of moving parts, breakage of parts, mounting, and any other condition that may affect its operation. A guard or other part that is damaged should be properly repaired or replaced by an authorized service center unless indicated elsewhere in this manual.

Power Tool Use and Care

1. **Do not force the appliance.** It will do the job better with less likelihood of injury if it is used at the rate for which it was designed.
2. **Use the right appliance.** Do not use the appliance for any job except that for which it is intended.
3. **Do not use the power tool if the switch does not turn it on and off.** Any power tool that cannot be controlled by the switch is dangerous and must be repaired.
4. **Disconnect the battery pack from the power tool before making any adjustments, changing accessories or storing the power tool.** Such preventative safety measures reduce the risk of starting the power tool accidentally.
5. **Store the idle power tool out of the children's reach and do not allow persons unfamiliar with the power tool or these instructions to operate the power tool.** Power tools are dangerous in the hands of untrained users.
6. **Maintain appliance with care.** Check for misalignment or binding of moving parts, breakage of parts and any other condition that may affect the power tool's operation. If damaged, have the power tool repaired before use. Many accidents are caused by poorly maintained power tools.
7. **Keep cutting blades sharp and clean.** Properly maintained cutting blades with sharp edges are less likely to bind and are easier to control.
8. **Use the power tool and accessories in accordance with these instructions and in the manner intended for the particular use of the power tool, taking into account the working conditions and the work to be performed.** Using the power tool for operations different from those intended could result in a hazardous situation.
9. **Keep all parts of the body away from the cutting blade.** Do not remove cut material or hold material to be cut when blades are moving. Make sure the switch is off when clearing jammed material. A moment of inattention while operating the product may result in serious personal injury.
10. **Carry the product by the handle with the cutting blade stopped.** When transporting or storing the product always fit the cutting device cover. Proper handling of the product will reduce possible personal injury from the cutter blades.
11. Do not use the pole pruner in bad weather conditions, especially when there is a risk of lightning. This decreases the risk of being struck by lightning.
12. To reduce the risk of electrocution, never use near any electrical power lines. Contact with or use near power lines may cause serious injury or electric shock resulting in death.
13. Always use two hands when operating the pole pruner. Hold the pole pruner with both hands to avoid loss of control.
14. Always use head protection when operating the pole pruner overhead. Falling debris can result in serious personal injury.

Service

1. **If your power tool requires service, contact an authorized Snow Joe® + Sun Joe® dealer or call the Snow Joe® + Sun Joe® customer service center at 1-866-SNOWJOE (1-866-766-9563).** Only identical replacement parts should be utilized for repairs. This will ensure that the safety of the power tool is maintained.
2. **If the battery charger cable is damaged, it must be immediately replaced to avoid a hazard.** Contact the Snow Joe® + Sun Joe® customer service center at 1-866-SNOWJOE (1-866-766-9563) for assistance.

Battery & Charger Safety Instructions

We pay a great deal of attention to the design of every battery pack to ensure that we supply you with batteries that are safe, durable and have a high energy density. The battery cells have a wide range of safety devices. Each individual cell is initially formatted and its electrical characteristic curves are recorded. This data is then used exclusively to be able to assemble the best possible battery packs.

Despite all the safety precautions, caution must always be exercised when handling batteries. The following points must be obeyed at all times to ensure safe use. Safe use can only be guaranteed if undamaged cells are used. Incorrect handling of the battery pack can cause cell damage.

IMPORTANT! Analyses confirm that incorrect use and poor care of high-performance batteries are the main factors responsible for personal and/or product damage.

⚠️ WARNING! Use only approved replacement batteries; other batteries may damage the power tool and cause it to malfunction, which can lead to serious personal injury.

⚠️ WARNING! Do not use a battery pack or appliance that is damaged or modified. Damaged or modified batteries may exhibit unpredictable behavior resulting in fire, explosion or risk of injury.

Do not modify or attempt to repair the appliance or the battery pack except as indicated in the instructions for use and care.

Have your battery pack serviced by a qualified repair person using only identical replacement parts. This will ensure that the safety of the battery pack is maintained.

⚠️ CAUTION! To reduce the risk of injury, charge the Sun Joe® 24V lithium-ion battery pack only in its designated Sun Joe® lithium-ion charger. Other types of chargers present risk of fire, personal injury and damage. Do not wire a battery pack to a power supply plug or car cigarette lighter. Such misuse will permanently disable or damage the battery pack.

- **Avoid dangerous environments** – Do not charge the battery pack in rain, snow or in damp or wet locations. Do not use the battery pack or charger in the presence of explosive atmospheres (gaseous fumes, dust or flammable materials) because sparks may be generated when inserting or removing the battery pack, which could lead to a fire.
- **Charge in a well-ventilated area** – Do not block the charger vents. Keep them clear to allow for proper ventilation. Do not allow smoking or open flames near a charging battery pack. Vented gases may explode.
NOTE: The safe temperature range for the battery is 41°F – 105°F (5°C – 40.5°C). Do not charge the battery outside in freezing weather; charge it at room temperature.
- **Maintain charger cord** – When unplugging the charger, pull the plug, not the cord, from the receptacle to reduce the risk of damage to the electrical plug and cord. Never carry the charger by its cord or yank it by the cord to disconnect it from the receptacle. Keep the cord away from heat, oil and sharp edges. Make sure the cord will not be stepped on, tripped over or subjected to damage or stress when the charger is in use. Do not use the charger with a damaged cord or plug. Replace a damaged charger immediately.
- **Do not use an extension cord unless it is absolutely necessary** – Using the wrong, damaged or improperly wired extension cord poses a risk of fire and electric shock. If an extension cord must be used, plug the charger into a properly wired 16 gauge or larger extension cord with the female plug matching the male plug on the charger. Make sure that the extension cord is in good electrical condition.
- **Charger (XZ2600-0450) is rated for 100 – 240 volt AC only** – The charger must be plugged into an appropriate receptacle.
- **Use only recommended attachments** – Use of an attachment not recommended or sold by the battery charger or battery pack manufacturer may result in risk of fire, electric shock or personal injury.
- **Unplug charger when not in use** – Make sure to disconnect battery pack from unplugged charger.

⚠️ WARNING! To reduce the risk of electric shock, always unplug the charger before performing any cleaning or maintenance. Do not allow water to flow into the charger. Use a Ground Fault Circuit Interrupter (GFCI) to reduce shock hazards.

- **Do not burn or incinerate battery pack** – Battery pack may explode, causing personal injury or damage. Toxic fumes and materials are created when battery packs are burned.
- **Do not crush, drop or damage battery pack** – Do not use the battery pack or charger if they have sustained a sharp blow, been dropped, run over or have been damaged in any way (i.e. pierced with a nail, hit with a hammer, stepped on, etc.).

- **Do not disassemble** – Incorrect reassembly may pose a serious risk of electric shock, fire or exposure to toxic battery chemicals. If the battery or charger are damaged, contact an authorized Snow Joe® + Sun Joe® dealer or call the Snow Joe® + Sun Joe® customer service center at 1-866-SNOWJOE (1-866-766-9563) for assistance.
- **Battery chemicals cause serious burns** – Never let a damaged battery pack contact the skin, eyes or mouth. If a damaged battery pack leaks battery chemicals, use rubber or neoprene gloves to safely dispose of it. If skin is exposed to battery fluids, wash the affected area with soap and water and rinse with vinegar. If eyes are exposed to battery chemicals, immediately flush with water for 20 minutes and seek medical attention. Remove and dispose of contaminated clothing.
- **Do not short circuit** – When battery pack is not in use, keep it away from other metal objects, like paper clips, coins, keys, nails, screws or other small metal objects that can make a connection from one terminal to another. Shorting the battery terminals together may cause burns or a fire.
- **Store your battery pack and charger in a cool, dry place** – Do not store the battery pack or charger where temperatures may exceed 105°F (40.5°C), such as in direct sunlight or inside a vehicle or metal building during the summer.

Information about the battery

1. The battery pack supplied with your cordless power tool is only partially charged. The battery pack has to be charged completely before you use the tool for the first time.
2. For optimum battery performance, avoid low discharge cycles by charging the battery pack frequently.
3. Store the battery pack in a cool place, ideally at 77°F (25°C) and charged to at least 40%.
4. Lithium-ion batteries are subject to a natural aging process. The battery pack must be replaced at the latest when its capacity falls to just 80% of its capacity when new. Weakened cells in an aged battery pack are no longer capable of meeting the high power requirements needed for the proper operation of your cordless pruner, and therefore pose a safety risk.
5. Do not throw the battery pack into an open fire as this poses a risk of explosion.
6. Do not ignite the battery pack or expose it to fire.
7. Do not exhaustively discharge batteries. Exhaustive discharge will damage the battery cells. The most common cause of exhaustive discharge is lengthy storage or non-use of partially discharged batteries. Stop working as soon as the performance of the battery falls noticeably or the electronic protection system triggers. Place the battery pack in storage only after it has been fully charged.
8. Protect the battery and the tool from overloads. Overloads will quickly result in overheating and cell damage inside

the battery housing even if this overheating is not apparent externally.

9. Avoid damage and shocks. Immediately replace batteries that have been dropped from a height of more than 3 feet (1 meter) or those that have been exposed to violent shocks, even if the housing of the battery pack appears to be undamaged. The battery cells inside the battery may have suffered serious damage. In such instances, please read the waste disposal information for proper battery disposal.
10. If the battery pack suffers overloading and overheating, the integrated protective cutoff will switch off the equipment for safety reasons.
IMPORTANT! Do not press the ON/OFF trigger switch any more if the protective cut-off has been activated. This may damage the battery pack.
11. Recharge only with the charger specified by the manufacturer. A charger that is suitable for one type of battery pack may create a risk of fire when used with another battery pack.
12. Use appliances only with specifically designated battery packs. Use of any other battery packs may create a risk of injury and fire.
13. Under abusive conditions, liquid may be ejected from the battery; avoid contact. If contact accidentally occurs, flush with water. If liquid contacts eyes, additionally seek medical help. Liquid ejected from the battery may cause irritation or burns.
14. Do not use a battery pack or appliance that is damaged or modified. Damaged or modified batteries may exhibit unpredictable behavior resulting in fire, explosion or risk of injury.
15. Do not expose a battery pack or appliance to fire or excessive temperature. Exposure to fire or temperature above 265°F (130°C) may cause explosion.
16. Follow all charging instructions and do not charge the battery pack or appliance outside of the temperature range specified in the instructions. Charging improperly or at temperatures outside of the specified range may damage the battery and increase the risk of fire.

Information about the charger and the charging process

1. Please check the data marked on the rating plate of the battery charger. Be sure to connect the battery charger to a power supply with the voltage marked on the rating plate. Never connect it to a different mains voltage.
2. Protect the battery charger and its cord from damage. Keep the charger and its cord away from heat, oil and sharp edges. Have damaged cords repaired without delay by a qualified technician at an authorized Snow Joe® + Sun Joe® dealer or call the Snow Joe® + Sun Joe® customer service center at 1-866-SNOWJOE (1-866-766-9563).









3. Electrical plugs must match the outlet. Never modify the plug in any way. Do not use any adapter plugs with grounded appliances. Unmodified plugs and matching outlets will reduce the risk of electric shock.
 4. Keep the battery charger, battery pack and the cordless tool out of the reach of children.
 5. Do not use the supplied battery charger to charge other cordless tools.
 6. During periods of heavy use, the battery pack will become warm. Allow the battery pack to cool to room temperature before connecting with the charger to recharge.
 7. Do not overcharge batteries. Do not exceed the maximum charging times. These charging times only apply to discharged batteries. Frequent insertion of a charged or partially charged battery pack will result in overcharging and cell damage. Do not leave batteries in the charger for days on end.
 8. Never use or charge the battery if you suspect that it has been more than 12 months since the last time they were charged. There is a high probability that the battery pack has already suffered dangerous damage (exhaustive discharge).
 9. Charging batteries at a temperature below 41°F (5°C) will cause chemical damage to the cells and may cause a fire.
 10. Do not use batteries that have been exposed to heat during the charging process, as the battery cells may have suffered dangerous damage.
 11. Do not use batteries that have suffered curvature or deformation during the charging process or those that exhibit other atypical symptoms (gassing, hissing, cracking, etc.).
 12. Never fully discharge the battery pack (maximum recommended depth of discharge is 80%). A complete discharge of the battery pack will lead to premature aging of the battery cells.
- with batteries that have been overheated – replace them immediately, if possible.
7. Store the charger and your cordless tool only in dry locations with an ambient temperature of 41°F – 105°F (5°C – 40.5°C). Store your lithium-ion battery pack in a cool, dry place at a temperature of 77°F (25°C). Protect the battery pack, charger and cordless tool from humidity and direct sunlight. Only place fully charged batteries in storage (charged to at least 40%).
 8. Prevent the lithium-ion battery pack from freezing. Battery packs that were stored below 32°F (0°C) for more than 60 minutes must be discarded.
 9. When handling batteries, be wary of electrostatic charge. Electrostatic discharges can damage the electronic protection system and the battery cells. Avoid electrostatic charging and never touch the battery poles.

Protection from environmental influences

1. Wear suitable work clothes. Wear safety goggles.
2. Protect your cordless tool and the battery charger from moisture and rain. Moisture and rain can cause dangerous cell damage.
3. Do not use the cordless tool or the battery charger near vapors and flammable liquids.
4. Use the battery charger and cordless tools only in dry conditions and at an ambient temperature of 41°F – 105°F (5°C – 40.5°C).
5. Do not keep the battery charger in places where the temperature is liable to reach over 105°F (40.5°C). In particular, do not leave the battery charger in a car that is parked in the sunshine.
6. Protect batteries from overheating. Overloads, overcharging and exposure to direct sunlight will result in overheating and cell damage. Never charge or work

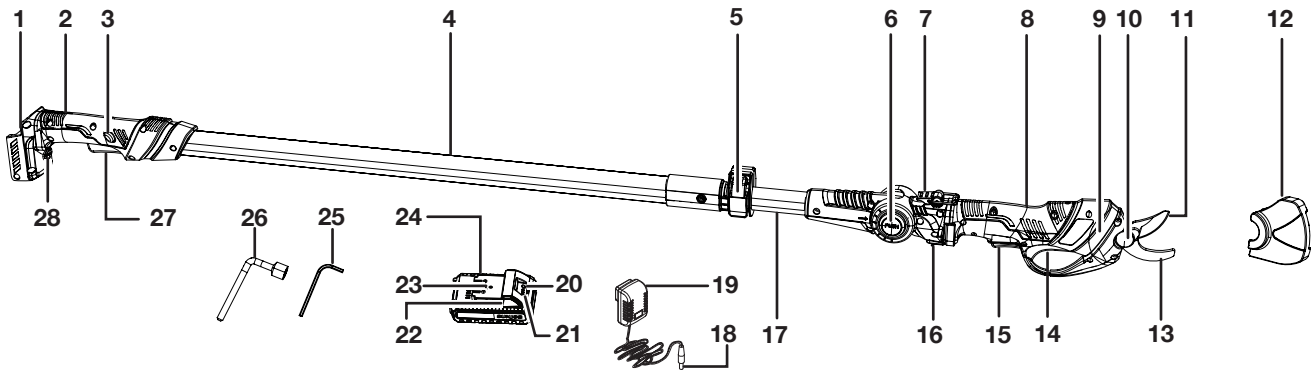
Safety Symbols

The following table depicts and describes safety symbols that may appear on this product. Read, understand and follow all instructions on this tool before attempting to assemble and operate.

Symbols	Descriptions	Symbols	Descriptions
	READ THE OPERATOR'S MANUAL(S) – Read, understand and follow all instructions in the user manual(s) before attempting to assemble and operate.		SAFETY ALERT – Indicates a precaution, a warning or a danger.
	WARNING! Do not expose the unit to rain or wet conditions. Keep dry.		Wear protective gloves and non-slip footwear when using the machine and handling debris.
	Keep bystanders a safe distance away from the work area.		DANGER! Keep hands away from blade.
	Only use battery charger indoors.		Risk of Injury. Use safety glasses, hearing protection and dust mask.

Know Your Cordless Pole Pruner

Read the owner's manual and safety instructions carefully before operating cordless pruner. Compare the illustration below to the cordless pruner in order to familiarize yourself with the location of the various controls and adjustments. Save this manual for future reference.



- | | | |
|---|--|--|
| 1. Removable battery compartment | 11. Cutting blade | 20. Push button for battery indicator |
| 2. Rear handle | 12. Blade sheath | 21. Battery indicator |
| 3. Safety lock button (for telescoping pole pruner) | 13. Counter blade | 22. Push lock button |
| 4. Pole assembly | 14. Trigger switch (for handheld pruner) | 23. Charge socket |
| 5. Telescoping pole cam-lock | 15. Safety lock button (for handheld pruner) | 24. iON+ 24V lithium-ion battery (24VBAT-LTE) featuring exclusive EcoSharp® technology |
| 6. Multi-angle Lock Button | 16. Cutting head connecting lock button | 25. Hexagon wrench socket key |
| 7. Connecting lock latch | 17. Telescoping pole | 26. Lug wrench |
| 8. Cutting head | 18. Charger plug | 27. Trigger switch (for telescoping pole pruner) |
| 9. Blade cover | 19. 24V iON+ lithium-ion charger (XZ2600-0450) | 28. Removable battery compartment connecting lock button |
| 10. Blade bolt | | |

Technical Data

Motor	80 W	Cutting Diameter Max	1.02 in. (28 mm)
Battery Voltage* Max	24 V D.C.	Cutting Speed	1.2 s/cut
Battery Capacity	2.0 Ah	Multi-Angle Head	7 position (-45° -22.5° 0° 22.5° 45° 67.5° 90°)
Battery Runtime Max	20 min <i>Up to 500 cuts of 25 mm soft wood</i>	Telescopic Pole	4 ft to 5.83 ft (1.22 m to 1.78 m)
Charger Input	100 – 240 V AC, 50/60 Hz, 0.4 A	Overhead Reach	Up to 11.83 ft (3.6 m)
Charger Output	26 V DC $\overline{=}$ 450 mA	Weight (Pruner alone)	4.16 lbs (1.89 kg)
Charge Time Max	5 hours	Weight	5.18 lbs (2.35 kg) (With battery installed)
No Load Speed	16.7 rpm		

*Initial no-load voltage, when fully charged, peaks at 24 volts; nominal voltage under typical load is 21.6 volts.

Unpacking

Carton Contents

- Pruner cutting head
- Removable battery compartment
- Pole assembly
- Blade cover
- Hexagon wrench socket key
- Lug wrench
- iON+ 24V lithium-ion battery
- iON+ 24V lithium-ion battery charger
- Manual with registration card

1. Carefully remove the cordless pruner and check to see that all of the above items are supplied.
2. Inspect the product carefully to make sure no breakage or damage occurred during shipping. If you find damaged or missing parts, DO NOT return the unit to the store. Please call the Snow Joe® + Sun Joe® customer service center at 1-866-SNOWJOE (1-866-766-9563).

NOTE: Do not discard the shipping carton and packaging material until you are ready to use your new cordless pruner. The packaging is made of recyclable materials. Properly dispose of these materials in accordance with local regulations.

IMPORTANT! The equipment and packaging material are not toys. Do not let children play with plastic bags, foils or small parts. These items can be swallowed and pose a suffocation risk!





Battery Pack Operation

The equipment is powered by a lithium-ion battery. The battery pack is completely sealed and maintenance free.

Battery Charge Level Indicator

The battery pack is equipped with a push button for checking the charge level. Simply press the push button to read off the battery charge level from the LEDs of the battery indicator:

- All 3 level monitoring LEDs are lit: Battery charge level is high.
- 2 level monitoring LEDs are lit: Battery charge level is decreasing. Stop work as soon as possible.
- 1 level monitoring LED is lit: Battery is flat. Stop work IMMEDIATELY and charge the battery. Otherwise the battery's service life will be greatly shortened.

Lights	Light Indicators
	Charge level button
	The battery is at 30% capacity and requires charging
	The battery is at 60% capacity and requires charging soon
	The battery is at full capacity

NOTE: If the charge level button does not appear to be working, insert the charger and charge as needed.

NOTE: Immediately after using the battery pack, the charge level button may display a lower charge than it will if checked a few minutes later. The battery cells "recover" some of their charge after resting.

Charger Operation

WARNING! Charge only Sun Joe® 24V lithium-ion battery pack with its compatible Sun Joe® 24V lithium-ion charger. Other types of batteries may cause personal injury and damage.

To reduce the risk of electric shock, do not allow water to flow into the charger's AC/DC plug.

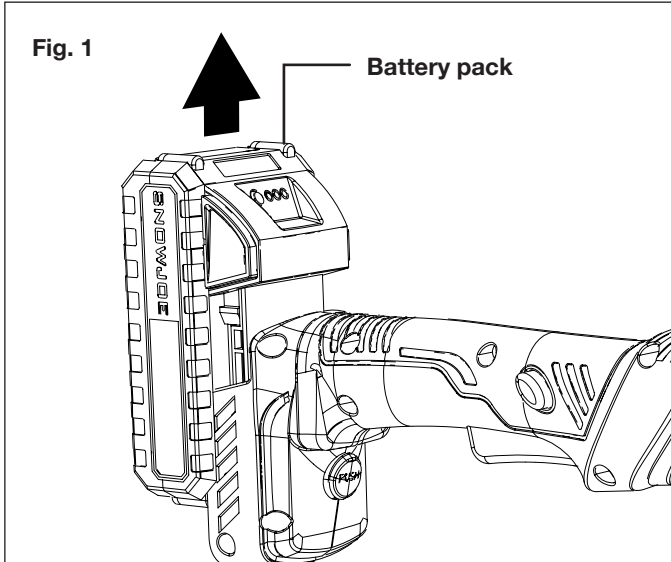
When to Charge the iON+ 24VBAT-LTE Lithium-iON Battery

NOTE: The iON+ 24VBAT-LTE lithium-ion battery pack does not develop a "memory" when charged after only a partial discharge. Therefore, it is not necessary to run down the battery pack before inserting the charger plug.

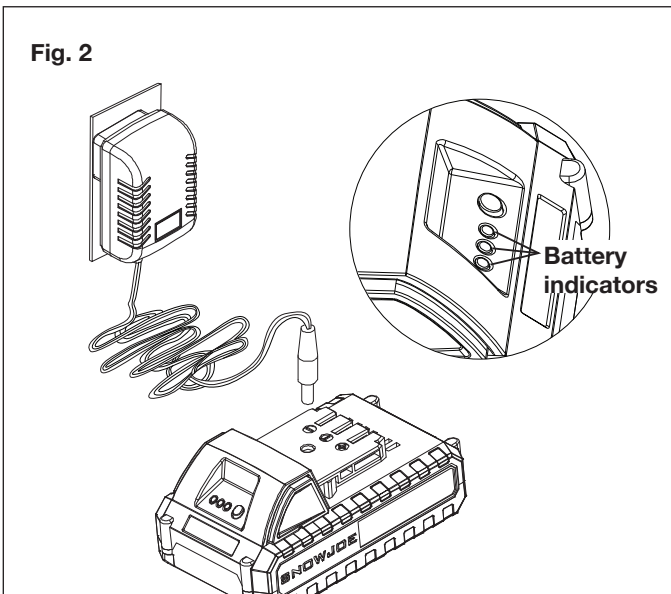
- Use the battery indicator lights to determine when to charge your iON+ 24VBAT-LTE lithium-ion battery pack.
- You can "top-off" your battery pack's charge before starting a big job or after a long day of use.

Charging the Battery

1. Push the push lock buttons on the battery to pull the battery pack out from the battery compartment (Fig. 1).



2. Check that the mains voltage is the same as that marked on the rating plate of the battery charger. Then, plug the charger adapter into an appropriate AC power outlet. Connect the charger plug into the charge socket of the battery to start charging (Fig. 2).



3. The battery will take approximately 5 hours to charge. The battery indicator LEDs will twinkle and illuminate one by one during the charging process. Unplug the charger immediately when the 3 LEDs are all illuminated.

⚠ CAUTION! FIRE HAZARD. When disconnecting the charger from the battery, be sure to unplug the charger from the outlet first, then disconnect the charger from the battery

⚠ WARNING! This charger does not automatically turn off when the battery is fully charged. Please take care not to leave the battery plugged into the charger. Switch off or unplug the charger at the mains when charging is complete.

4. Timely recharging of the battery will help prolong the battery's life. You must recharge the battery pack when you notice a drop in the equipment's power.

IMPORTANT! Never allow the battery pack to become fully discharged as this will cause irreversible damage to the battery.

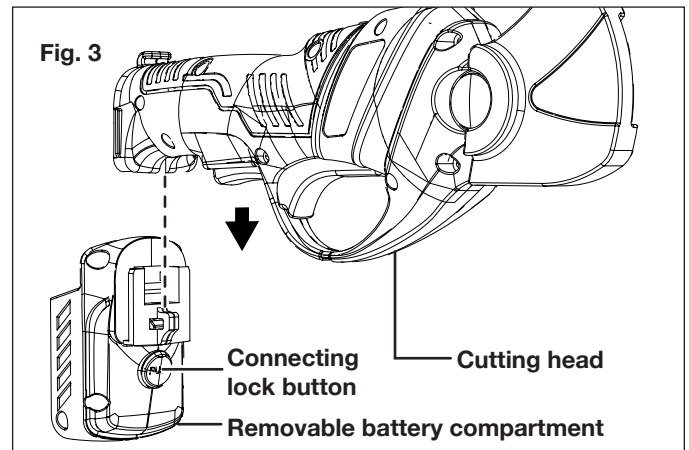
Assembly

This cordless pruner comes completely assembled with the blade pre-installed. Users just need to connect the unit as hand-held pruner mode or telescoping pole pruner mode before operation. Follow the instruction below to connect the machine.

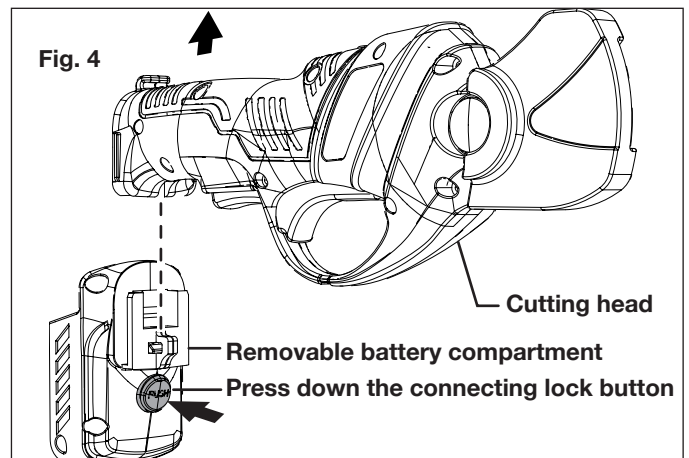
⚠ CAUTION! Make sure the battery is not inserted and the blades are covered by the sheath before assembly.

Hand-held Pruner Assembly

1. To assemble the machine as a hand-held pruner, align the small ridge on the removable battery compartment with the guide slot on the cutting head and slide the cutting head downward until the connecting lock button pops up and the cutting head clicks into position (Fig. 3).

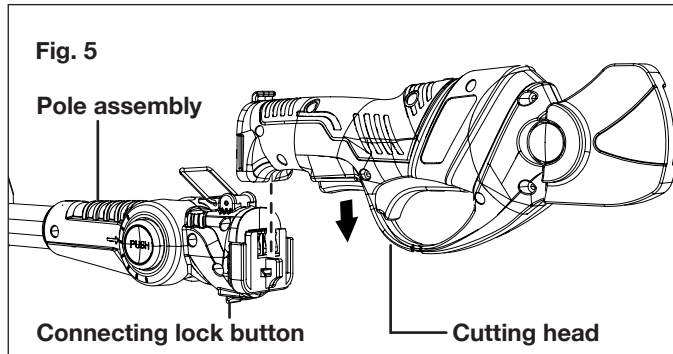


2. To disassemble the hand-held pruner, press down the connecting lock button on the removable battery compartment and slide up the cutting head at the same time (Fig. 4).

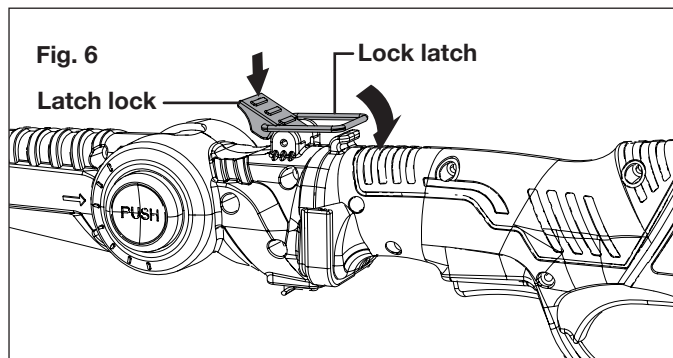


Telescoping Pruner Assembly

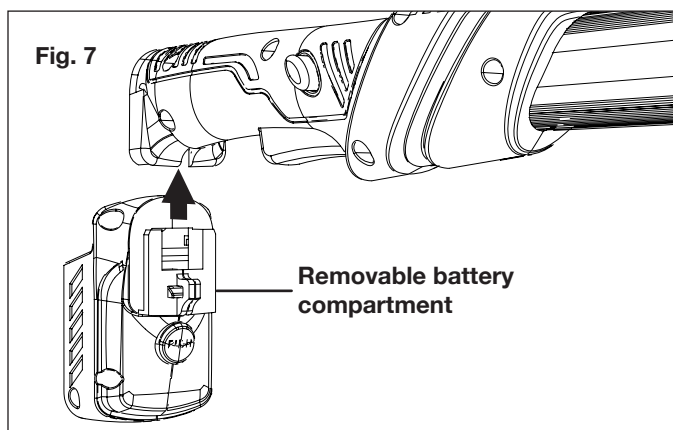
1. To assemble the machine as a telescoping pole pruner, align the small ridge on the connecting part of the pole assembly with the guide slot on the cutting head and slide the cutting head downward until the connecting lock button pops up and the cutting head clicks into position (Fig. 5).



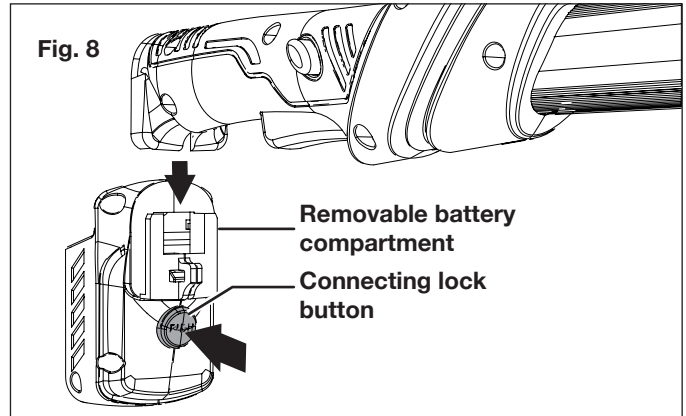
2. Flip the connecting lock latch over the hook on the cutting head, and press the latch lock down to secure the connection (Fig. 6).



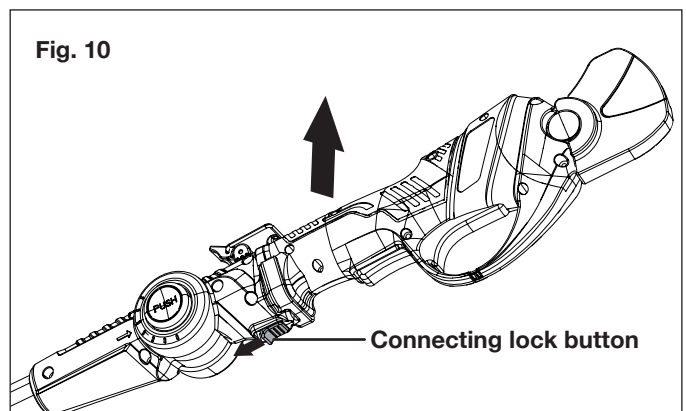
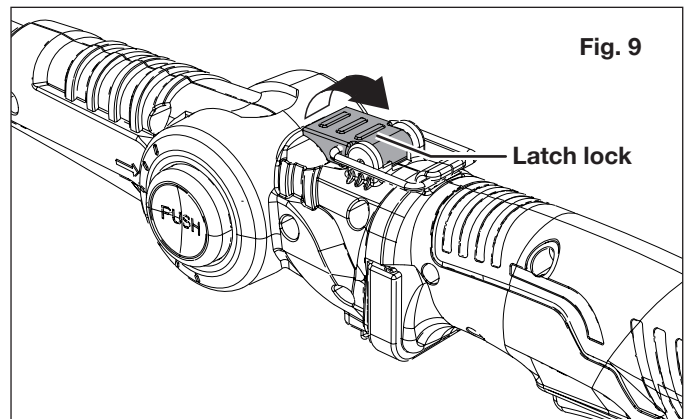
3. With the battery removed, slide the removable battery compartment up the end of the pole assembly, until the connecting lock button pops up and the battery compartment clicks into position (Fig. 7).



4. To disassemble the telescoping pole pruner, press down the connecting lock button on the removable battery compartment and slide down the battery compartment at the same time (Fig. 8).



5. Flip up the latch lock to unlock the cutting head, then press the connecting lock button on the bottom of the pole assembly and slide up the cutting head at the same time (Figs. 9 – 10).



Operation

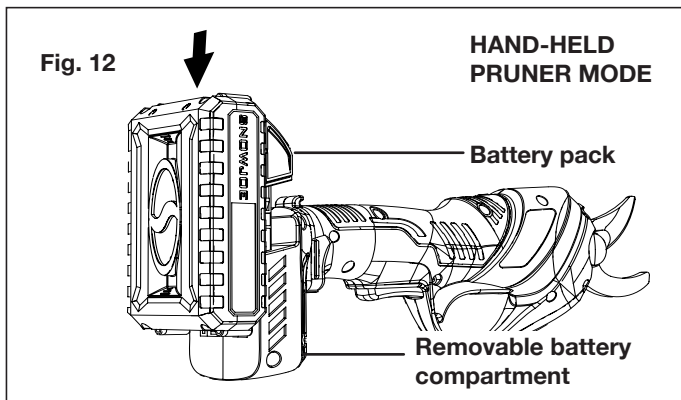
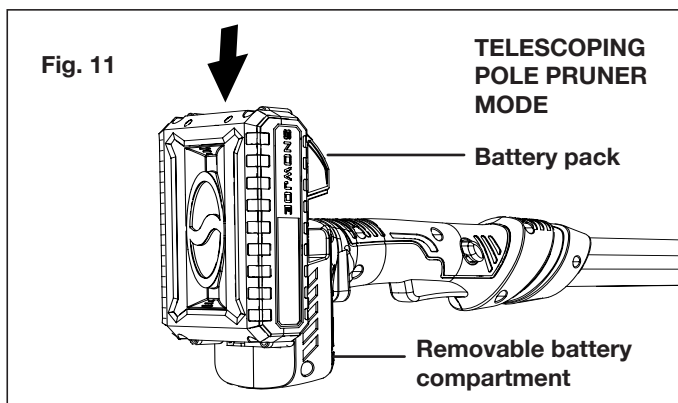
IMPORTANT! The product is intended for light-duty pruning of shrubs and hedges for residential properties.

⚠ WARNING! The blades continue to move to close and open after releasing the switch. Turn OFF the tool and wait until the blades come to a complete stop before adjusting or cleaning.

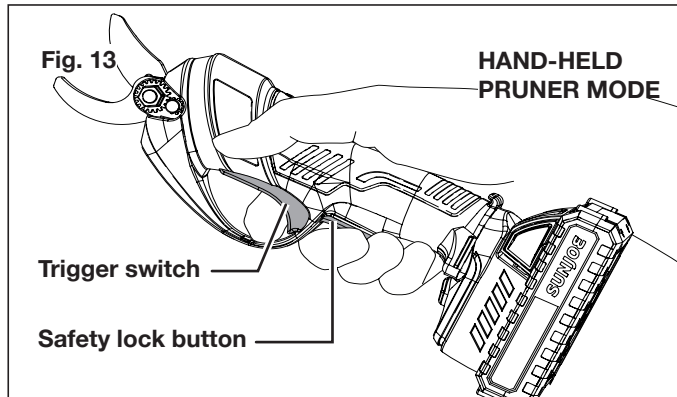
⚠ CAUTION! Wear protective gloves while working with the pruner. Never touch the blade or blade rail while the tool is in operation and be aware of the sharp edges even when the pruner is not in use.

Starting + Stopping

1. With the unit securely assembled as hand-held pruner mode or telescoping pole pruner mode, slide the battery into the removable battery compartment until it clicks into position (Figs. 11 – 12).

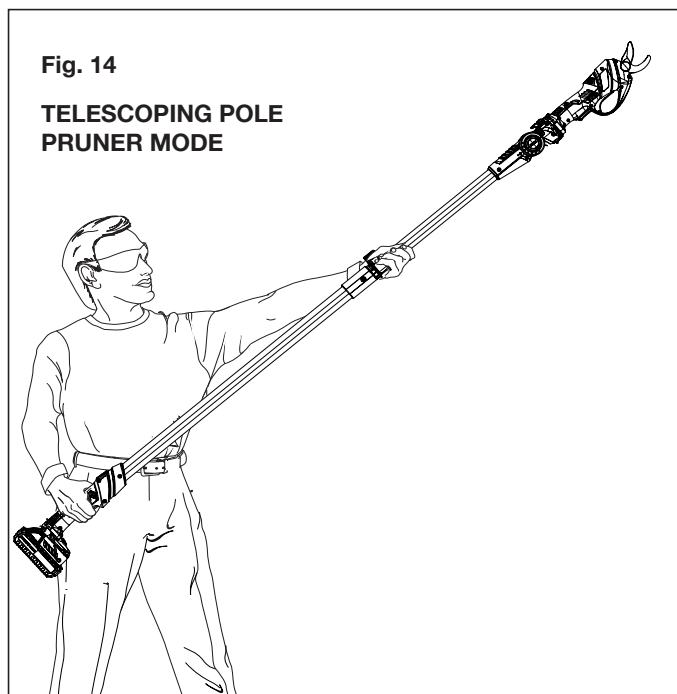


2. To use the unit as a hand-held pruner, grab the pruner with the index finger resting on the trigger switch and the 4 other fingers gripping the handle and squeeze the safety lock button. When you are ready to make a cut, use your index finger to squeeze the trigger switch. (Fig. 13). This will close the blades to make a cut. Release the trigger switch to open the blades. The pole pruner will return to the (open) starting position.

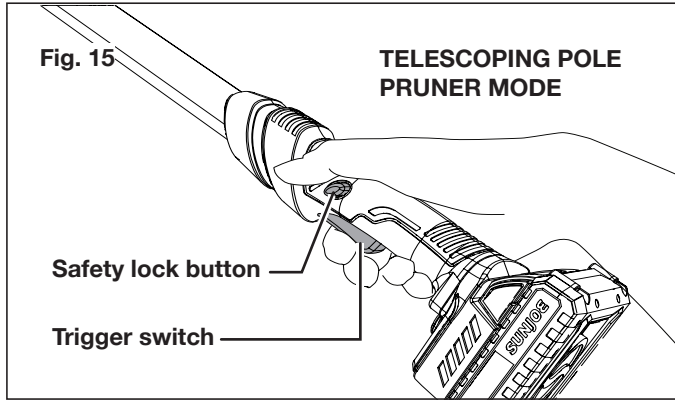


NOTE: The safety lock button reduces the risk of accidental starting.

3. To use the unit as a telescoping pole pruner, balance your weight with both feet on solid ground and hold the pole pruner by one handle on the rear handle and the other on the pole. Position the unit at a proper angle depending on the specific situation (Fig. 14).



4. Take the proper stance in front of the tree with the pruner off and press the safety lock button on the rear handle. When you are ready to make a cut, squeeze the trigger switch to close the blades. After the cut, release the trigger. The pole pruner will return to the (open) starting position. (Fig. 15).

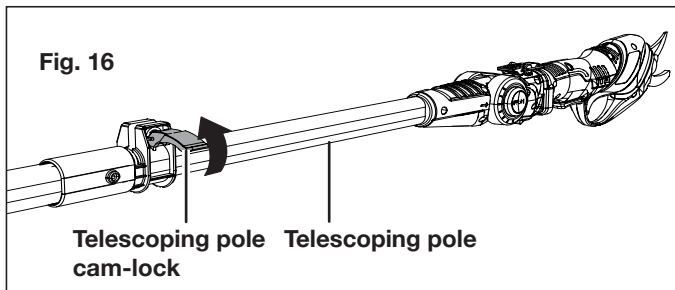


CAUTION! Always ensure proper footing and balance in a clean and clear work environment before switching on the cordless pruner.

Adjusting the Telescoping Pole (Optional)

When being used as the telescoping pole pruner, the machine is equipped with a telescoping pole which provides up to an additional 5.83 ft (1.78 m) of overhead reach. To adjust the telescoping pole, follow the instructions below.

1. Release the trigger switch and the safety lock button. Removed the battery from the compartment. Wait until the tool has stopped completely.
2. Flip up the telescoping pole cam-lock, and extend the pole to the desired length (Fig. 16).

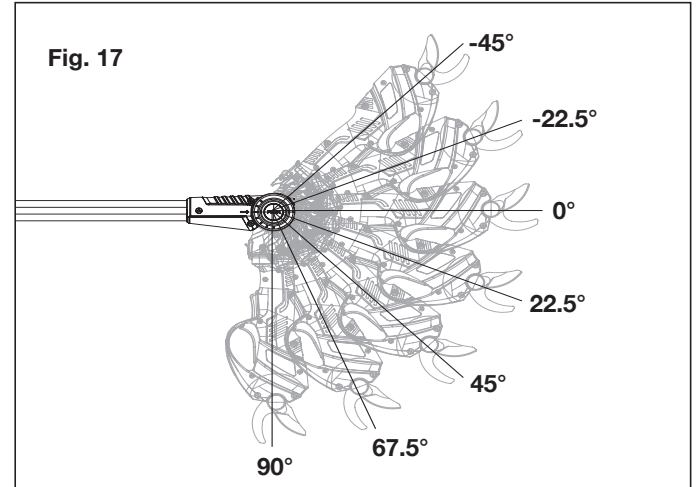


NOTE: Push poles toward each other to shorten the pole or pull them away from each other to lengthen the pole. Only extend the pole to the minimum length required to reach the limb to be cut.

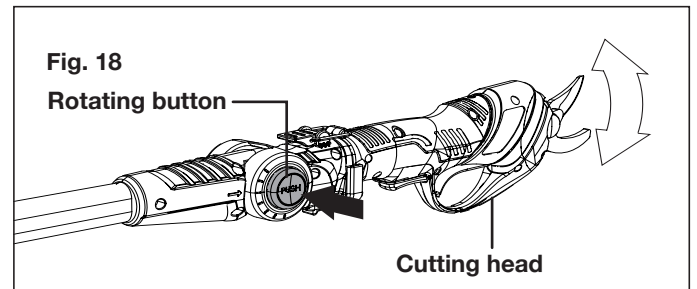
3. Lock the pole in position by closing the cam-lock, and ensure that the pole is secure.

Adjusting the Cutting Angle (Optional)

The pole assembly is also equipped with a rotating function that will enable the pruner to cut in any of 7 positions. (-45°, -22.5°, 0°, 22.5°, 45°, 67.5°, 90°) (Fig. 17). To adjust the cutting angle, follow the instructions below.



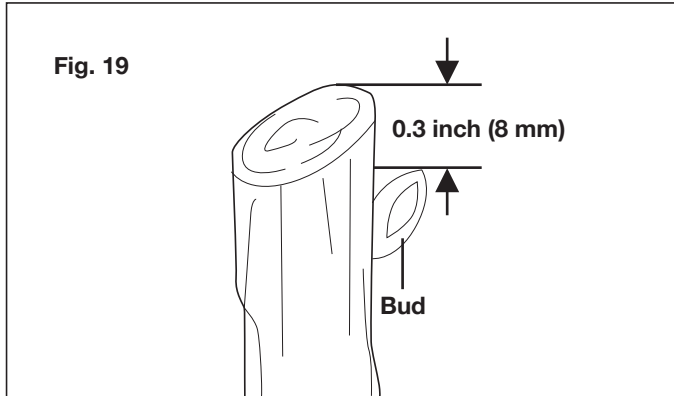
1. Release the trigger switch and the safety lock button. Removed the battery from the compartment. Wait until the tool has stopped completely.
2. Hold the pole tightly. Press the rotating button and turn the cutting head to the desired position. Release the rotating button and check to make sure that the cutting head is locked in place (Fig. 18).



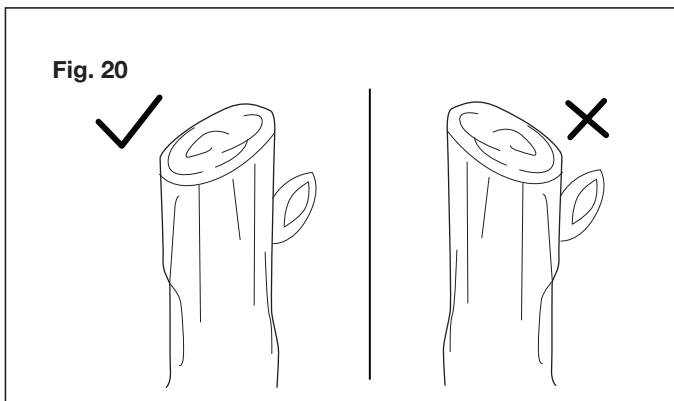
Trimming Tips

The cordless pruner can be used to remove fresh blooms from the garden; also great for pruning overgrowth, dead and overlapping stems and twigs, as well as thin and weak growth. Follow the tips below for operation.

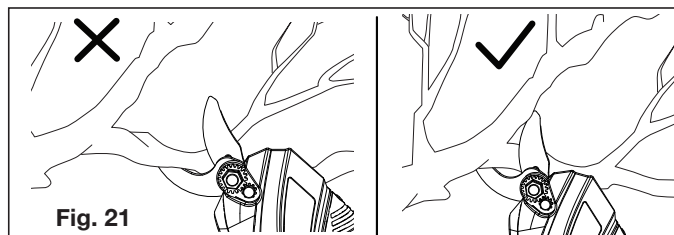
1. Never cut too close to the bud, so the wound can heal properly.
2. Always make the cut above 0.3 inch (8 mm) from the bud (Fig. 19).



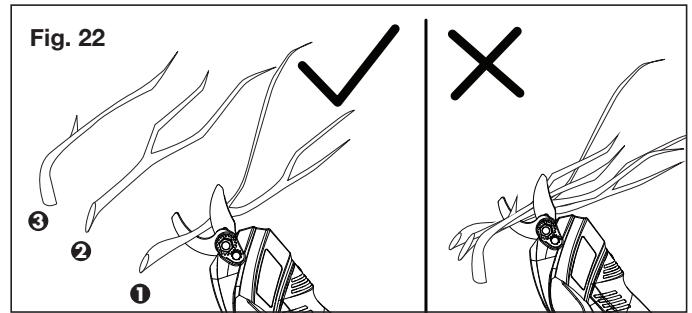
3. The cut should slope away from the bud, so the rain can run off (Fig. 20).



4. When removing the entire stem, cut back to the point where it branched (Fig. 21).



5. Cut branches one by one, as shown (Fig. 22).



Maintenance

⚠ WARNING! Always switch the product off and remove the battery before performing inspection, maintenance, and cleaning work.

1. If the cordless pruner requires cleaning, do not use solvents to clean it. Only use a moistened soft cloth. Never let any liquid get inside the tool; and never immerse any part of the tool into any liquid.
2. Apply oil around the blade bolt and open and close the blades about 10 times to work it in. Use the steel wool to rub the oil over the cutting surfaces. Spray the tool with alcohol and wipe with a paper towel.
3. Inspect the product before each use for worn and damaged parts. Do not operate it if you find broken and worn parts.

Blade Maintenance

To ensure years of efficient and trouble-free operation, blade cleaning should be performed if sap and debris have built-up, or if you live in an area where the soil is sandy. Cleaning unusually heavy deposits may require removal of the blade.

NOTE: Snow Joe® + Sun Joe® will not be held responsible for any damage or injuries caused by repair of the pruner by an unauthorized person or by mishandling of the pruner.

1. Keep the cutting blades clean and free of debris. Remove trimmings.
2. Keep the blades sharp. Have a worn or damaged cutting device replaced with a new one of the same type by a qualified specialist. Spare parts may be ordered online at sunjoe.com or via phone by contacting the Snow Joe® + Sun Joe® customer service center at 1-866-SNOWJOE (1-866-766-9563).

Blade Sharpening

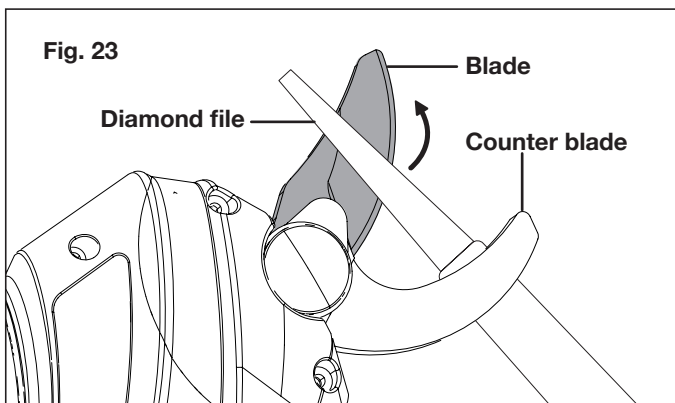
⚠️ WARNING! Always take extra care, especially when your hand may be facing the cutting edge.

Bypass pruners will generally only have one blade, the lower part being the counter blade which should never require sharpening.

The cut of a bypass tool is achieved by the blade precisely passing by the counter blade. It therefore follows that you should never sharpen the flat side of the blade. If steel is removed from here, the two parts will no longer meet precisely and the tool will fail to cut. You must only sharpen on the outside or bevelled side of the blade.

1. To sharpen your cordless pruner, hold the open pruner flat in one hand and with the other hand place the sharpener at a 15 degree angle along the bevelled side of the blade (Fig. 23).

NOTE: Be careful to not sharpen at too steep an angle as this could damage the edge of the blade.



2. Move the sharpener in one direction only, with smooth strokes from base to end 4 to 5 times.

⚠️ WARNING! Do not over-sharpen. Be sure to test blades repeatedly throughout the sharpening process to prevent over-sharpening.

3. Turn the pruner over so the flat side of the blade is facing up and slide the sharpener flush along the unbeveled edge to remove burrs created by sharpening the cutting blade.
4. A bench vise can also be used to hold the tool during sharpening, taking care not to over tighten the vise which can bend the tool.

⚠️ WARNING! Minimize coating loss. Stay to the edge of the blade when sharpening blades with low-friction or titanium coating to minimize the loss of coating.

Blade Replacement

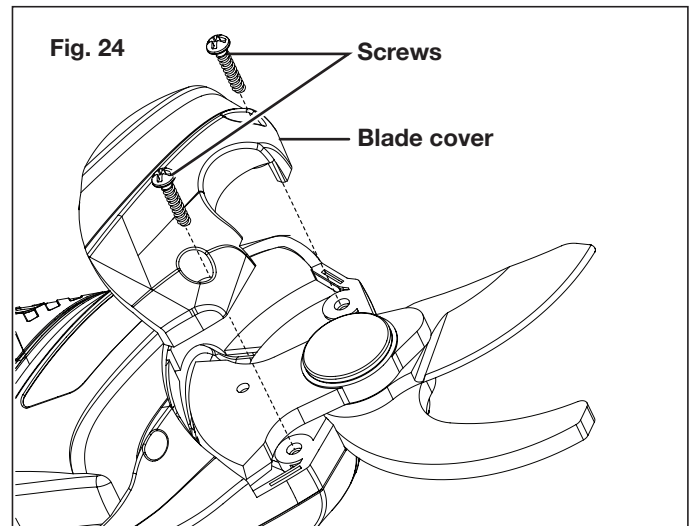
⚠️ WARNING! Use only recommended replacement blade.

NOTE: Cutting will become difficult if the blade edge becomes dull, which requires a new blade to be assembled on.

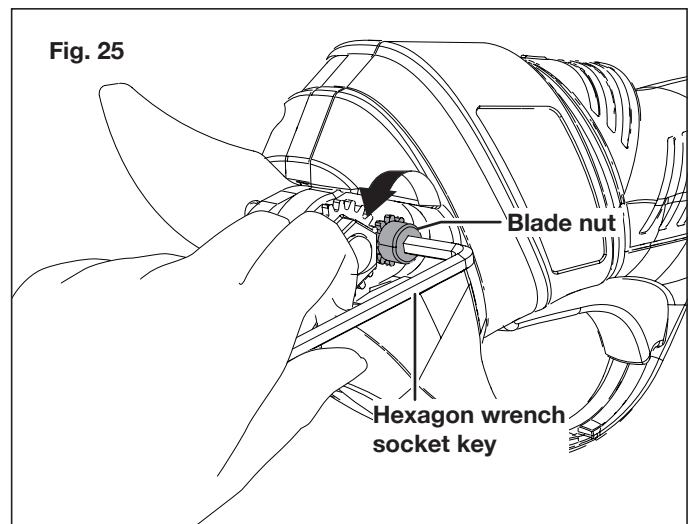
⚠️ WARNING! Make sure that the pruner is off and always wear protective gloves while changing the blade.

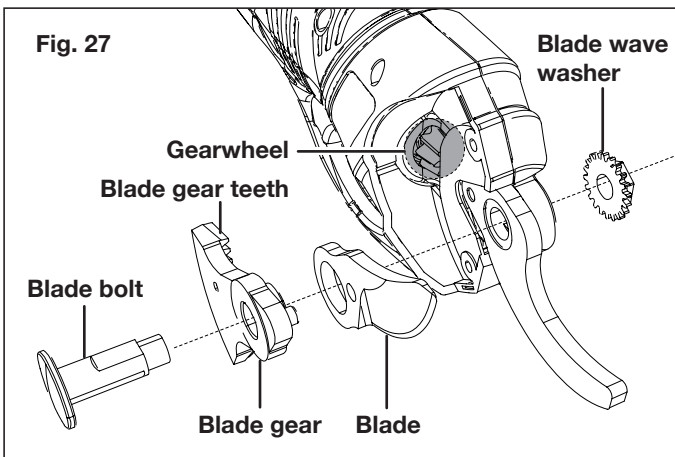
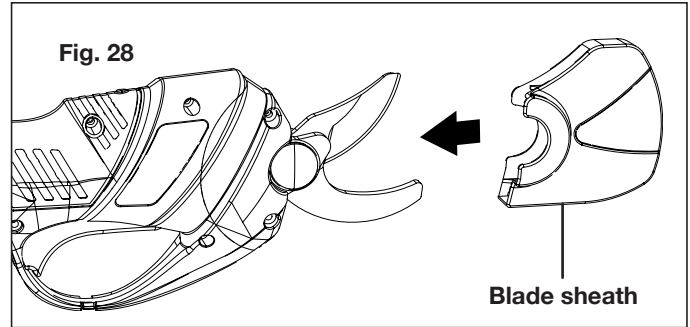
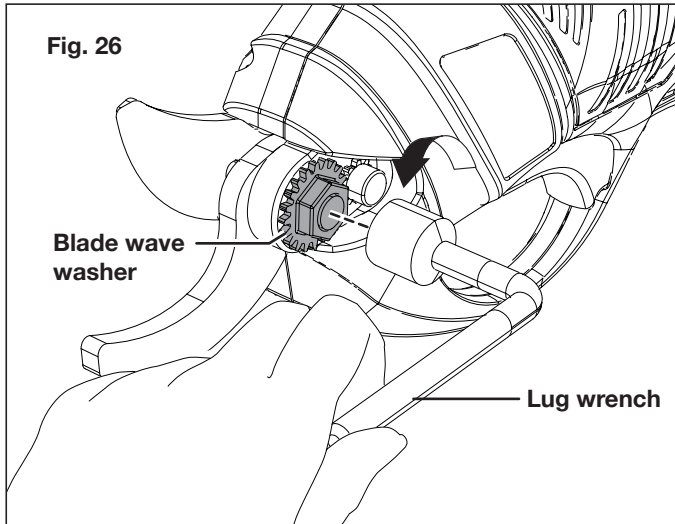
⚠️ WARNING! Risk of injury; keep hands away from the switches when changing the blade.

1. Remove the blade cover by unscrewing the two screws that fix them in place (Fig. 24).



2. To remove the moving blade, use the equipped hexagon wrench socket key to remove the blade nut which secures the blade. Use the equipped lug wrench to remove the blade wave washer, and then the blade bolt. The moving blade and the blade gear should be able to come off the assembly (Figs. 25 – 27).





- Store the tool in a secure and dry location. The storage temperature must always remain in the range of 41°F (5°C) to 104°F (40°C).
- Before using the tool after prolonged storage, fully recharge the battery.

Disposal

Recycling the tool

- Do not dispose of electrical appliances as unsorted municipal waste. Use separate collection facilities.
- Contact your local government agency for information regarding the collection systems available.
- If electrical appliances are disposed of in landfills or dumps, hazardous substances can leak into the groundwater and get into the food chain, damaging your health and well-being.
- When replacing old appliances with new ones, the retailer is legally obligated to take back your old appliance for disposal at least free of charge.

3. Fit the new blade on the blade gear. Reassemble the blade gear with the new blade, blade bolt and the blade wave washer as the reverse order above (Fig. 27).

NOTE: When replace the blade gear, make sure the teeth on the blade gear is fit into the gearwheel inside the housing.

4. Fix with the blade nut. Reattach the blade cover and the two screws. Make sure they are tightened securely.

Storage

When the tool will not be used for several months, proceed as follows:

- Remove the battery from the compartment.
- Clean the product as describe above.
- Assemble the blade sheath over the blades (Fig. 28).

Recycling + Disposal

The product comes in a package that protects it against damage during shipping. Keep the package until you are sure that all parts have been delivered and the product is functioning properly. Recycle the package afterwards or keep it for long-term storage.



WEEE symbol. Waste electrical products should not be disposed of with household waste. Please recycle where facilities exist. Check with your local authority or local store for recycling regulations.

Battery Caution + Disposal

Always dispose of your battery pack according to federal, state, and local regulations. Contact a recycling agency in your area for recycling locations.

⚠ CAUTION! Even discharged battery packs contain some energy. Before disposing, use electrical tape to cover the terminals to prevent the battery pack from shorting, which could cause a fire or explosion.

⚠️ WARNING! To reduce the risk of injury or explosion, never burn or incinerate a battery pack even if it is damaged, dead or completely discharged. When burned, toxic fumes and materials are emitted into the surrounding atmosphere.

1. Batteries vary according to device. Consult your manual for specific information.
2. Install only new batteries of the same type in your product (where applicable).
3. Failure to insert batteries in the correct polarity, as indicated in the battery compartment or manual, may shorten the life of the batteries or cause batteries to leak.
4. Do not mix old and new batteries.
5. Do not mix Alkaline, Standard (Carbon-Zinc) or Rechargeable (Nickel Cadmium, Nickel Metal Hydride, or Lithium-Ion) batteries.
6. Do not dispose of batteries in fire.
7. Batteries should be recycled or disposed of as per state and local guidelines.

Service + Support

If your Sun Joe® cordless pruner requires service or maintenance, please call the Snow Joe® + Sun Joe® customer service center at 1-866-SNOWJOE (1-866-766-9563).

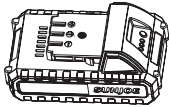
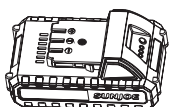
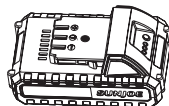
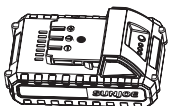



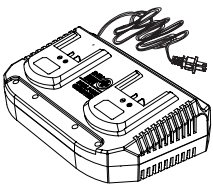
Model + Serial Numbers

When contacting the company or reordering parts, you will need to provide the model and serial numbers of your product. These are found on the decal affixed to the housing or handle of your cordless pruner. Copy these numbers into the space provided below.

<p>Record the following numbers from the housing or handle of your new product:</p> <p>Model #:</p> <p> 2 4 V - L R P L 2 - L T E </p> <p>Serial #:</p> <p> </p>

Optional Accessories

⚠️ WARNING! ALWAYS use only authorized Snow Joe® + Sun Joe® replacement parts and accessories. NEVER use replacement parts or accessories that are not intended for use with this cordless pruner. Contact Snow Joe® + Sun Joe® if you are unsure whether it is safe to use a particular replacement part or accessory with your cordless pruner. The use of any other attachment or accessory can be dangerous and could cause injury or mechanical damage.

Accessories	Item	Model
	24V iON+ 1.3 Ah Lithium-Ion Battery <i>Battery Runtime Max: 13 min (Up to 320 cuts of 25 mm soft wood)</i>	24VBAT-LTW
	24V iON+ 1.5 Ah Lithium-Ion Battery <i>Battery Runtime Max: 15 min (Up to 375 cuts of 25 mm soft wood)</i>	24VBAT-LTX
	24V iON+ 2.0 Ah Lithium-Ion Battery <i>Battery Runtime Max: 20 min (Up to 500 cuts of 25 mm soft wood)</i>	24VBAT-LTE
	24V iON+ 2.5 Ah Lithium-Ion Battery <i>Battery Runtime Max: 25 min (Up to 620 cuts of 25 mm soft wood)</i>	24VBAT-LT
	24V iON+ 4.0 Ah Lithium-Ion Battery <i>Battery Runtime Max: 30 min (Up to 1000 cuts of 25 mm soft wood)</i>	24VBAT
	24V iON+ 5.0 Ah Lithium-Ion Battery <i>Battery Runtime Max: 50 min (Up to 1250 cuts of 25 mm soft wood)</i>	24VBAT-XR
	iON+ 24V lithium-ion Battery Quick Charger	24VCHRG-QC
	iON+ 24V lithium-ion Dual-port Battery Charger	24VCHRG-DPC

NOTE: Accessories are subject to change without any obligation on the part of Snow Joe® + Sun Joe® to provide notice of such changes. Accessories can be ordered online at sunjoe.com or via phone by contacting the Snow Joe® + Sun Joe® customer service center at 1-866-SNOWJOE (1-866-766-9563).

NOTES



SNOW JOE® + SUN JOE® CUSTOMER PROMISE

ABOVE ALL ELSE, Snow Joe, LLC (“Snow Joe”) is dedicated to you, our customer. We strive to make your experience as pleasant as possible. Unfortunately, there are times when a Snow Joe®, Sun Joe®, or Aqua Joe® product (“Product”) does not work or breaks under normal operating conditions. We think it’s important that you know what you can expect from us. That’s why we have a Limited Warranty (“Warranty”) for our Products.

OUR WARRANTY:

Snow Joe warrants new, genuine, powered and non-powered Products to be free from defects in material or workmanship when used for ordinary household use for a period of two years from the date of purchase by the original, end-user purchaser when purchased from Snow Joe or from one of Snow Joe’s authorized sellers with proof of purchase. Because Snow Joe is unable to control the quality of its Products sold by unauthorized sellers, unless otherwise prohibited by law, this Warranty does not cover Products purchased from unauthorized sellers. If your Product does not work or there’s an issue with a specific part that is covered by the terms of this Warranty, Snow Joe will elect to either (1) send you a free replacement part, (2) replace the Product with a new or comparable product at no charge, or (3) repair the Product. How cool is that!

This Warranty gives you specific legal rights, and you may also have other rights which vary from State to State.

PRODUCT REGISTRATION:

Snow Joe strongly encourages you to register your Product. You can register online at snowjoe.com/register, or by printing and mailing in a registration card available online from our website, or calling our Customer Service Department at **1-866-SNOWJOE (1-866-766-9563)**, or by e-mailing us at help@snowjoe.com. Failure to register your Product will not diminish your warranty rights. However, registering your Product will allow Snow Joe to better serve you with any of your customer service needs.

WHO CAN SEEK LIMITED WARRANTY COVERAGE:

This Warranty is extended by Snow Joe to the original purchaser and original owner of the Product.

WHAT IS NOT COVERED?

This Warranty does not apply if the Product has been used commercially or for non-household or rental applications. This Warranty also does not apply if the Product was purchased from an unauthorized seller. This Warranty also does not cover cosmetic changes that do not affect performance. Wearing parts like belts, augers, chains and tines are not covered under this Warranty, and can be purchased at snowjoe.com or by calling **1-866-SNOWJOE (1-866-766-9563)**.



sunjoe.com